



ELECTRONICS

EMERGENCY VEHICLE SOUND, LIGHTING & EQUIPMENT

INTERCEPTOR UTILITY PRODUCT GUIDE

2013/14



www.dandrelectronics.com

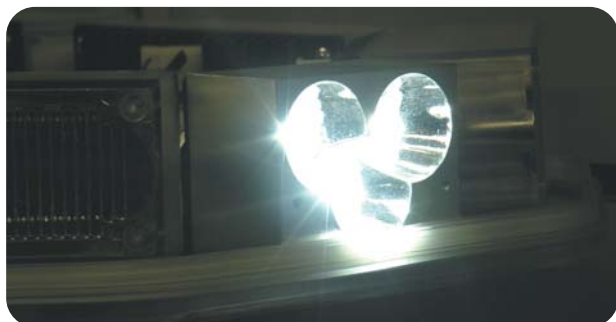
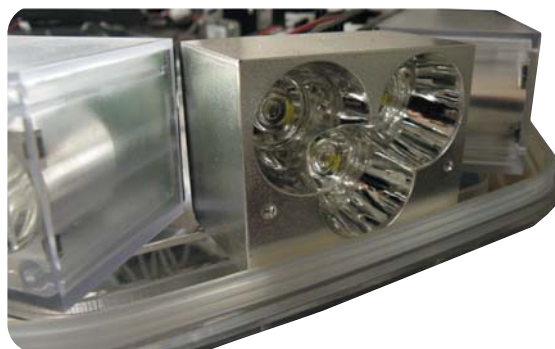
PL-46 LINEAR LIGHTBAR WITH WDR12 MODULES



- Linear 6 or 12 High Power LED plug-in modules
- Amperage draw:
WDR6-X-PL: 0.55 - 0.6 amp per module
WDR12-X-PL: 1.1 - 1.2 amp per module



- Prowler is our new generation lightbar that combines the best features of LED technology.
- Mounting kits available for most makes and models of vehicles.
- Meets all applicable SAE Class 1 and California Title XIII when properly configured
- Can be controlled through any of the standard D&R and other manufacturer's switch packs or electronic light control systems
- Perfect for all emergency vehicle applications
- 13 conductor 18 feet harness
- Operating Temperature: -40°C to +65°C (-40F to 149F)
- Exceptionally bright and powerful signal generated by the D&R light modules
- Optional internal or external auto dim mode for night use
- Deep parabolic reflector
- 100% solid state flasher
- 100% solid state modules





ODYSSEY ARROWBOARD LIGHTBARS

- The Odyssey LED sign is a compact lightbar and arrowboard combination.
- The retractable motorized arrowboard / traffic director provides superior visibility in a low profile configuration.
- This patent design gives you the full advantage of a 360-degree lightbar when in lower position.

FEATURES:

- GEN III LED technology
- Low-profile (just 3" high) and 'Easy Swap' plug and play modules
- Motorized for easy deployment
- Compatible with our light & siren controller or AS5500
- Mounting kit included
- Meets SAE Class I when properly configured

TECHNICAL SPECS:

- Finish: Enamel
- Color: White or Black
- Material: Base-12ga aluminum / Sign-8ga aluminum
- Optional Road Alert designed in
- Dimensions: Sign Down: W-47 3/4", D-21 1/4" / H-3.0" / Sign Up Raised height - 19 7/8"
- Arrow Board: Total light modules - 16
Double Arrow Configuration - Yes
- Functions Supported: Left Arrow - Yes / Right Arrow - Yes
Centre Out - Yes / Flash Warning - Yes
 - Arrow Board Modules:
MR6B*X-OD (black body)
*X-available colors: Amber, Blue, Clear, Red
Draw: 0.7 amp@12V per module
 - Lightbar Modules:
WDR6-*X / WDR12-*X Deep Reflector LED light
*X-available colors: Amber, Blue, Clear, Red
Amperage Draw:
WDR6-*X: 0.55-0.6 amp per module
WDR12-*X: 1.1-1.2 amp per module

MINI ODYSSEY LIGHTBAR



ODYSSEY LIGHTBAR

* Shown with DR6 Modules

TECHNICAL SPECS:

- Finish: Powder coat
- Color: White or Black
- Material: Base-12ga aluminum / Sign-8ga aluminum
- Dimensions: Sign Down: W-47 3/4", D-28 1/4" / H-3.0" / Sign Up Raised height - 26 7/8"
- Arrow Board: Total light modules - 24
Double Arrow Configuration - Yes
- Functions Supported:
Left Arrow - Yes
Right Arrow - Yes
Centre Out - Yes
Flash Warning - Yes
 - Arrow Board Modules:
MR6B*X-OD (black body)
*X-colors: Amber, Blue, Clear, Red
Draw: 0.7 amp@12V per module
 - Lightbar Modules:
WDR6-*X / WDR12-*X Deep Reflector LED light
*X-available colors: Amber, Blue, Clear, Red
Amperage Draw:
WDR6-*X: 0.55-0.6 amp per module
WDR12-*X: 1.1-1.2 amp per module



MR6VL-EXPLORER



- High visibility when activated
- Low profile, lightweight
- Extremely discrete and non-intrusive
- Split Red/Blue super bright LED
- Selectable flash pattern
- Aluminum trim mounting bracket to hold the lightbar position near the top windshield area
- Available models: MR6VL-EXPLORER

TAILGATE EXTERIOR LED LIGHTBAR

MR6TL-EXPLORER



- FEATURES**
- Rear Spoiler molded Linear LED light stick
 - Multiple flash patterns built-in
 - Arrow functions



MR6LB/MR6LBF LED LIGHTS



FEATURES

- MR6 Linear modules utilize the latest in 1W LED technology
- Surface or Flush mount 6 LED flashing modules
- Ideally suited for use in directional warning solutions
- These compact modules provide great versatility for a wide range of mounting options
- All modules are sealed, waterproof for external mounting applications
- Multiple flash patterns built-in
- Input Voltage: 12-24 VDC Nominal
- Synchronous or alternate operation
- Dimensions:
MR6LB: W-3.25", H-1.25", D-1.1"
MR6LBF: W-3.25", H-1.5", D-1.0"
- Available colors:

**MR6LB LED LIGHT
SURFACE MOUNT**



**MR6LBF LED LIGHT
FLUSH MOUNT**

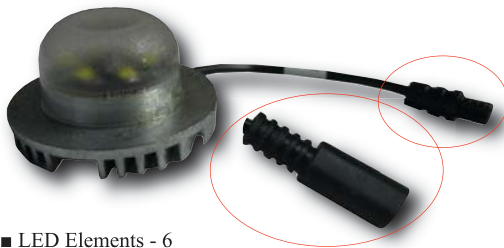


MR12LB LED LIGHTS



- MR12LB-X/X LED modules utilize the latest in 1W LED Technology
- Surface mount 2 x 6 LED flashing stacked modules
- Ideally suited for use in directional warning solutions
- All modules are sealed for external mounting applications
- Multiple flash patterns built-in
- Dimensions:
Width (Base) - 3.25"
Depth - 1.1"
Height - 2.75"
- Available colors:

L6I LED INSERT



- LED Elements - 6
- A single Master can trigger up to 6 Slave modules
- Ultra small
- Includes synchronize feature for alternating and synchronous flashing of multiple lamps
- Quick connect/disconnect harness *NEW FEATURE*
- Dimensions:
Base Diameter: 1.50", Height-1.25"
- Available colors:

ML6I LED LIGHTS



- Surface mount module
- Able to synchronize in both alternating and synchronous modes
- Safe low voltage wiring
- Quick connect/disconnect harness *NEW FEATURE*
- **Black** or **White** external bezel
- Dimensions: Base Diameter: 1.875", Height:0.75"
- Available colors:

INTIMIDATOR SERIES

F3.3000



- A compact easy to install siren & relay package with a remote control head with a built in PA Microphone
- Standard Siren tones
- 14 controlled outputs (3@20Amps, 11@10Amps)
- Radio re-broadcasting option
- Park Kill
- Gun lock timer feature

F3.3100



- Traffic Director display
- Operates one or two 100-watt speakers
- All control outputs are solid state relays
- All solid state relays are short circuit protected (no fuses to change)
- Meets SAE J1849
- Available in 12V or 24V operating voltages

PROTEC 1300S



- Hand held light & siren controller with built in PA Microphone
- Standard Siren tones
- Fully Backlit
- Radio re-broadcasting option
- Park Kill
- All control outputs are solid state relays
- Available in 12V or 24V operating voltages
- Operates one or two 100W speakers
- Meets SAE J1849

RDS SERIES

RDS-RK



- A compact full feature siren/relay modules
- 9 controlled outputs: 3@20Amp, and 6@10Amps
- All control outputs are solid state relays
- Radio re-broadcasting option
- Standard siren tones
- Park Kill

RDS



- Gun lock timer
- Operate one or two 100W speakers
- The touchpad includes a 4 position slide switch, 12 illuminated push button switches
- Traffic Advisor indicator (data to be used with D&R Advisor only)
- Meets SAE J1849

RDS16S

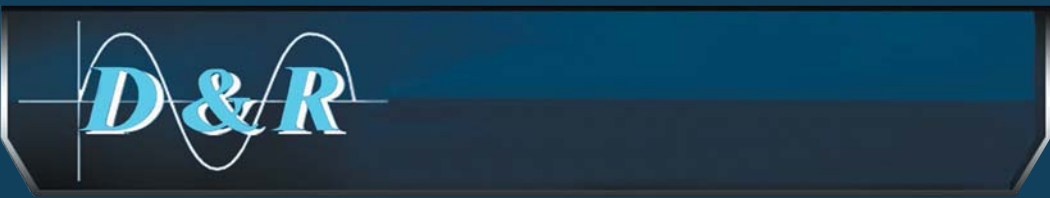


- Light & Siren control with full feature siren.
- 16 controlled outputs
- Radio re-broadcasting option
- All control outputs are solid state relays
- Park Kill
- Operates one or two 100W speakers
- Traffic advisor indicator (data to be used with D&R advisor only)
- Meets SAE J1849
- Gun lock timer

RDS17S



- Light & Siren control with full feature siren.
- 14 controlled outputs:3@20Amps, 11@10Amps
- Radio re-broadcasting option
- All control outputs are solid state relays
- Park Kill & Gun lock timer
- Operates one or two 100W speakers
- The touchpad includes 4 position slide switch, 14 illuminated push button switches
- Traffic advisor indicator (data to be used with D&R advisor only)
- Meets SAE J1849



SPEAKERS/ SPEAKER BRACKETS

DRCS110 SPEAKER



- All weather nylon composite black housing with front loaded 100W speaker driver
- Exceeds Class A, SAE J1849 requirements
- Dimensions:
Width - 6.85",
Height - 6.35",
Depth - 2.78"

DRCS110 PUSHBUMBER SINGLE SPEAKER BRACKET 935-0067A



- Single pushbar inverted speaker bracket
- Bracket for DRCS110

DRCS100 SPEAKER



- DRCS100 is one of D&R's most innovative cast 100 W speakers
- Exceeds Class A SAE J1849 approved
- Dimensions:
Width - 6.5",
Height - 5.375",
Depth - 3.0"

SPEAKER BRACKET 935-0062A



- Behind grille Speaker bracket for non-Pushbumper setup
- Bracket for DRCS100

ANTI-THEFT MODULES

ADT12



- Electronic Anti-Theft module
- Permits the removal of ignition key while the engine continues to run

ADT30A



- Automatic Anti-Theft module
- Activation upon door opening

LED MAPLIGHT

CA-0129 / CA-0130



- Available in: 12" and 18" lengths
- 3 Phase light intensity 1 Watt LED (Low, Medium, High)
- Available in 12 /24V
- 280 degree Turning Radius
- 1 Watt Red and White LED
- USB plug option available:
CA-0129-USB, CA-0130-USB



POWER DISTRIBUTION UNITS

The Power Distribution Units allow for elimination of long wasteful wire runs in public safety vehicle builds. PDUs are divided into three configurations:

- Direct Continuous Power
- Ignition Controlled Power
- Timed Controlled Power

- Power Management System
- Organizes vehicle wiring runs
- All power connections at one central location
- Provides Direct Power, Ignition Power and Timed Power

- Organizes vehicle wiring runs
- All power connections at one central location
- Provides direct power, ignition power and timed power
- Easy installation, easy connection of accessory equipment

Each fused output has a red LED to indicate a blown circuit fuse or equipment problem. The timed outputs provide the ability for automatic shutdown of devices by a user selectable timing circuit of 2-minutes to 13-hours (after ignition key removed). This will allow for vehicle left with mobile radios, modems, computers to shut down power before causing the battery to be run dangerously low.

- Makes a safer electrical connection to vehicle
- Built-in Watchdog
- Protects Battery

- Visual condition of circuits
- Make a safer electrical connection to vehicles
- Built-in Watchdog (battery discharge protector)
- Fast and reliable vehicle installations

PDU14



PDU8S



PDU42WB



PDUYRP



GENERAL INFORMATION ABOVE, FOR DETAILS ON EACH MODEL, VISIT OUR WEBSITE @ www.dandrelectronics.com/emergency/products/power-distribution-units

***** NEW***
IN-DASH SOLUTION**

***** SPECIFY THE TABLET MODEL YOU ARE USING AND WE WILL DESIGN YOUR IN-DASH SOLUTION *****



D&R Electronics is proud to introduce its new innovative in dash solution for the new Ford Interceptor Sedan and Utility vehicle designed specifically by use of Police officers.

The mount represents an ergonomic leap over conventional mounts. The advice, expertise and suggestions of numerous Police agencies were incorporated in tailoring this slick design.



GLOVE COMPARTMENT PRINTER SETUP

P/N #: 904-0140A - Glovebox Printer Fixed
P/N #: 904-0140C - Glovebox Printer Slide Out Option



901-0089A

- Console with sliding armrest
- Mount base for LT7600 (sold separately)
- Floorplate not required to install this console
- Allows for mounting up to 5 pieces of equipment



901-0087A

- Console without sliding armrest
- Mount base for LT7600 (sold separately)
- Floorplate not required to install this console
- Allows for mounting up to 5 pieces of equipment



901-0099A

- Designed to fit 2013 Ford Explorer Interceptor
- Allows for mounting up to 7 pieces of remote head equipment
- Floorplate not required to install this console



LAPTOP MOUNTS

- Dual 360 Degree swivels allow the computer to swing from the driver to the passenger seat
- LT7600 accepts all D&R computer specific trays, universal trays and popular keyboard trays
- Tilt adjustment allows the user to tilt the computer to a comfortable working position

LT7600





LAPTOP MOUNTS/ CONSOLE ACCESSORIES

- LT6600 Passenger Side Mount connects to the passenger seat bolts
- Full featured computer mount with height, tilt, dual 360 swivel and extension adjustments
- Utilizes laser cut swivel components to provide a compact unit ideal for small to full size cars and SUV's
- The LT6600 accepts all D&R laptop or MDT specific trays and universal trays

FUNCTIONALITY:

- Height Adjustment: height can be set by the user:
LT6600-A from 13.5" - 21.50"
- Extension Adjustment: this adjustment allows the user to tilt move the computer towards or away from their reach to a comfortable working position (12"-16")
- Mounting Kit: Various kits are available depending on the make, model and year
- All mounts include braces for mount support

LT6600-A



POWER OUTLETS

CA-0101



- Dual outlet 12V power accessory
- Individually switched, fused and backlit
- 15 Amp max per output

CA-0102



- Triple outlet 12V power accessory with lighter plug
- 15 Amp max per output

CA-0103



- Triple outlet 12V power accessory
- Mounts in console.
- Dimensions: Length - 8.0", Width - 3.5"



CUPHOLDERS

CA-0107LS



- Dual cupholder (one regular size cup and one large cup)
- Mounts in console
- Dimensions: L-4.25" / W-8.0"

CA-0107



- Dual cupholder (regular cup size)
- Mounts in console
- Dimensions: L-3.5" / W-8.0"

CA-0106



- Dual cupholder w/clipboard holder compartment
- Mounts to rear of console
- Dimensions: L-5.54" / W-8.43"

CA-0117L



- Dual cupholder w/two large cups
- Mounts to floor plate or flat surface
- Dimensions: L-5.69" / W-8.56"

CA-0117



- Dual cupholder with two regular cup size
- Mounts to floor plate or flat surface
- Dimensions: L-4.88" / W-8.0"

STORAGE POCKETS

CA-0104



- Ticket book holder
- Design to mount in console
- Dimensions: L-3.5" / W-8.0" / H-6.25"

CA-0104S



- Ticket book holder
- Design to mount in console
- Dimensions: L-3.5" / W-8.0" / H-3.0"

CA-0104M1



- Ticket book holder
- Design to mount in console
- Dimensions: L-7.0" / W-8.0" / H-6.25"

TICKETBOOK HOLDERS

CA-0105



- Ticket book holder with keyed locking lid
- Design to mount in console
- Dimensions: L-3.5" / W-8.0" / H-6.0"

CA-0105S



- Ticket book holder with keyed locking lid
- Design to mount in console
- Dimensions: L-3.5" / W-8.0" / H-3.0"

CA-0105M1



- Ticket book holder with keyed locking lid
- Design to mount in console
- Dimensions: L-7.0" / W-8.0" / H-6.25"

CA-0105M2



- Ticket book holder with keyed locking lid
- Design to mount in console
- Dimensions: L-10.5" / W-8.0" / H-6.25"

ARMRESTS

904-0123A



Console mount Armrest with D&R logo pad.

904-0128A



Floormount Armrest with D&R logo pad.

904-0135A



Soft molded rubber Side mounting Console Armrest-Driver Side
904-0136A Passenger Side

CA-0124



- Adjustable armrest with the rear mounted clip board holder

CA-0119



- Adjustable armrest
- Secures to equipment floor mounting plate

CA-0111



- Adjustable armrest with slide-out note pad
- Mounts to rear of console

CA-0118



- Adjustable armrest w/slide-out note pad
- Secures to equipment floor mounting plate

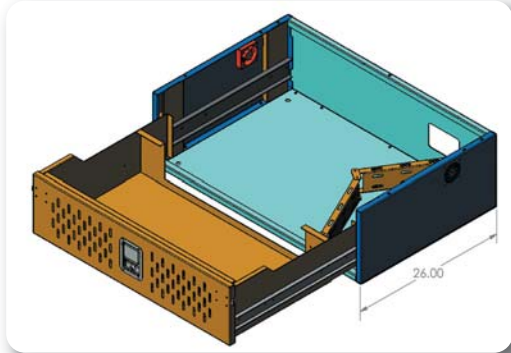
CA-0211

- Printer Armrest designed to enclose and protect the Pentax PocketJet printer & paper spool.
- Compact and ideally suited to mount in the confined space between the driver and passenger seats of all mid and full sized vehicles.
- CA-0210 is same as CA-0211 but mounts to the back of the D&R console.
Printer not included.



ELECTRONICS STORAGE BOX

934-0566A



- Heavy duty lightweight aluminum tray
- Heavy duty extension slides
- Cable runners/swing arm
- Dual 12V AC air circulation fans
- Subframe and cargo partition optional

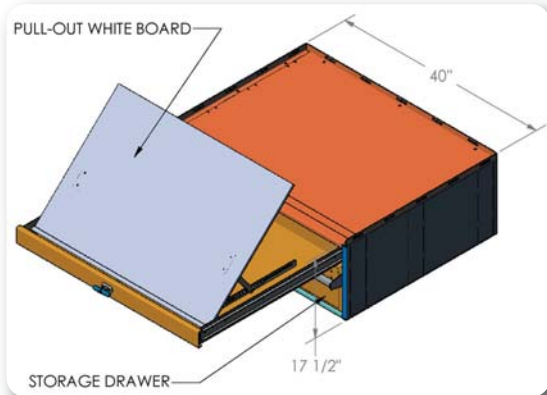
934-0526C



- Aluminum Electronics storage box
- Dimensions:
Width-40", Depth-18", Height-10"

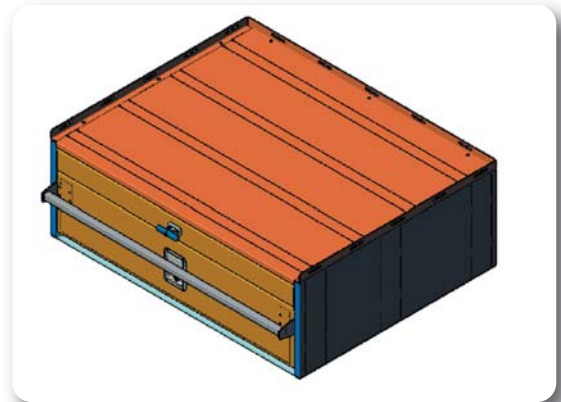
STORAGE SYSTEMS

Single Drawer System with White Board and No Access to spare tire.
 Available in two versions: 934-0619A Dimensions: 40"W x 16"H x 26"D
 934-0620A Dimensions: 40"W x 16"H x 38"D

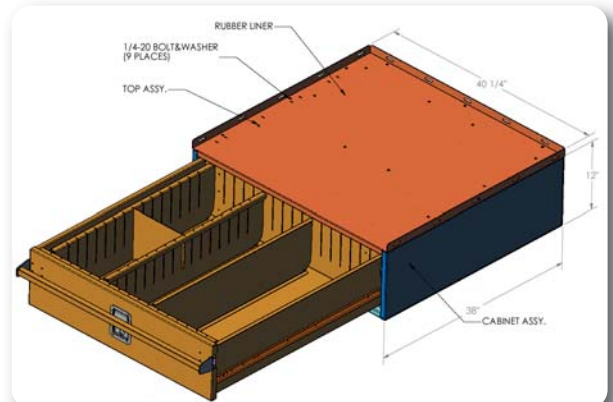


Single drawer for Ford Interceptor Explorer
 Lightweight aluminum material
 Hard black epoxy paint
 Dimensions:
 Height-12" / Width-40" / Depth-38"

934-0619A



934-0518A



STORAGE SYSTEMS

999-0005A

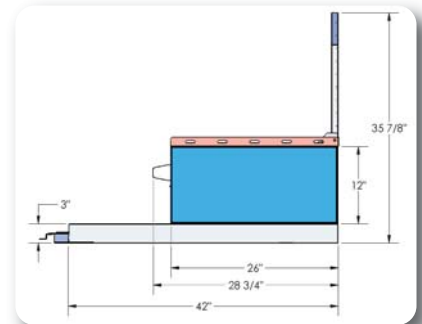


- Interceptor Utility cabinet Kit includes: Single Drawer, Subframe & Partition
- Access to spare tire
- Lightweight aluminum material
- Hard Black epoxy paint

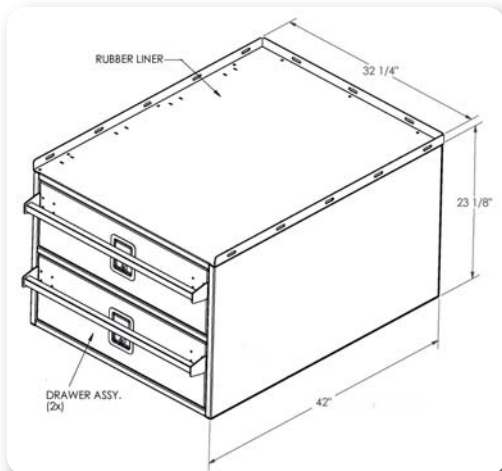
Kits part numbers:

If using Aedec Seat: 999-0012A

If using Progard Seat: 999-0007A



934-0536A



Dual Drawer

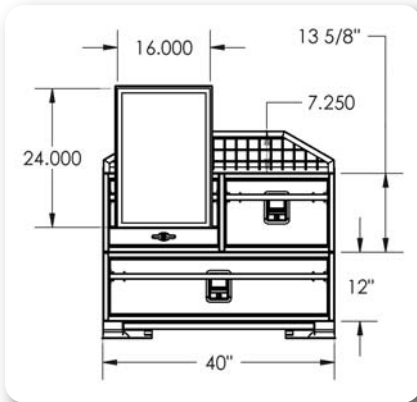
Dimension: Width-32 1/4", Depth-42", Height-23 1/8"

STORAGE SYSTEMS

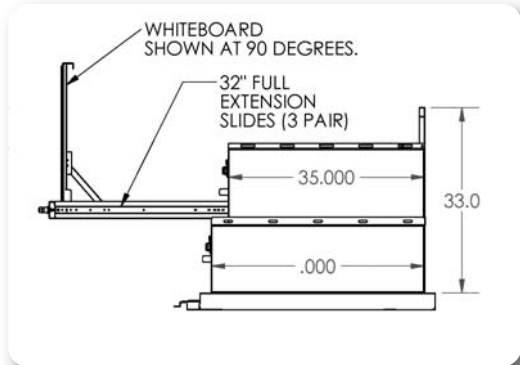
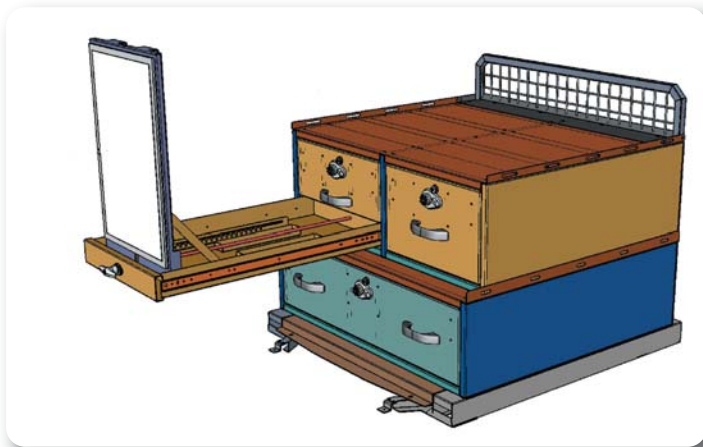


934-0525A

- Full size Dual drawer storage with partition
- Lightweight aluminum material
- No access to spare tire
- Subframe required



934-0577A



Storage System design for 2013 Interceptor Utility. Creates an entire working office center in your vehicle. Combination of organized, secured equipment storage, map board, file cabinets and secure equipment drawers.

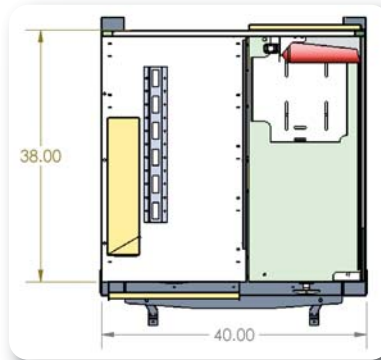


STORAGE SYSTEMS

934-0500A



- Full size Dual drawer storage with partition
- Lightweight aluminum material
- No access to spare tire
- Subframe required



DOOR COVER

REAR DOOR COVER
(937-0318A)



WINDOW BARS

REAR WINDOW BARS
(937-0317A)



SHOWN WITH MR6 LIGHT KIT 937-0319A

KENNEL 934-0533A

- Each cage is custom built to the dimensions of your vehicle
- Cages are versatile, spacious
- Keeping your dog safe and secure
- Easy to clean
- Heavy duty rubber floor mat
- 'Hot & Pop' sold separately





**ISO 9001:2008
REGISTERED COMPANY**



D&R ELECTRONICS CO.LTD

**8820 GEORGE BOLTON PKWY.
BOLTON, ONTARIO L7E 2Y4 CANADA
TEL: 905-951-9997 / FAX: 905-951-0019
TOLL FREE: 1-800-538-7338
www.dandrelectronics.com**